

# Major League Baseball



## OWNERS AND SERVICE MANUAL INNOVATIVE CONCEPTS IN ENTERTAINMENT INC.

10123 MAIN STREET, CLARENCE, NY 14031

SERVICE: 1-716-759-0360

FAX: 1-716-759-0884

E-MAIL: [service@icegame.com](mailto:service@icegame.com)

WEBSITE: [www.icegame.com](http://www.icegame.com)



# TABLE OF CONTENTS

|                               |         |
|-------------------------------|---------|
| Safety and Warnings           | 4       |
| Game Setup                    | 5       |
| Game Settings and Adjustments | 6       |
| Error Codes                   | 7       |
| Assembly Drawings             | 8 - 15  |
| Spare Parts                   | 16 - 17 |
| Warranty                      | 18 - 19 |

# SAFETY AND WARNINGS

## BEFORE YOU BEGIN

WARNING: WHEN INSTALLING THIS GAME, A GROUNDED A.C. RECEPTACLE MUST BE USED. FAILURE TO DO SO COULD RESULT IN INJURY TO YOURSELF OR OTHERS. FAILURE TO USE A GROUNDED RECEPTACLE COULD ALSO CAUSE IMPROPER GAME OPERATION, OR DAMAGE TO THE ELECTRONICS. DO NOT DEFEAT OR REMOVE THE GROUNDING PRONG ON THE POWER CORD FOR THE SAME REASON AS GIVEN ABOVE. USING AN IMPROPERLY GROUNDED GAME COULD VOID YOUR WARRANTY. HAVE A QUALIFIED ELECTRICIAN CHECK YOUR A.C. RECEPTACLE TO BE SURE THE GROUND IS FUNCTIONING PROPERLY. DO NOT WASH YOUR GAME WITH A PRESSURE WASHER.

AVERTISSEMENT: lors de l'installation de ce jeu, la terre AC réceptacle doit être utilisé. Ne pas le faire pourrait entraîner un préjudice à vous ou à d'autres. Le non-recours à la terre réceptacle pourrait également causer une mauvaise opération de jeu, ou les dommages causés à l'électronique. NE PAS détériorer ou de retirer la broche de terre sur le cordon d'alimentation pour la même raison, comme indiqué ci-dessus. Indûment l'aide d'un jeu de la terre pourrait annuler votre garantie. Ont un électricien qualifié de vérifier votre réceptacle AC pour s'assurer que le sol fonctionne correctement. Ne lavez pas votre jeu avec une laveuse à pression.

## INSTALLATION

The game comes ready to play with just a few simple things to keep in mind.

1. Plug the game into the A.C. outlet and turn on power to the game through the inside of the game next to the main board assembly. See assembly drawings for location.  
THIS GAME IS DESIGNED TO DISSIPATE STATIC ELECTRICITY THROUGH THE GROUNDING PLANE OF THE GAME. IF THE A.C. GROUND DOES NOT WORK, THE GAME COULD DISCHARGE STATIC ELECTRICITY THROUGH THE GAME CIRCUITRY, WHICH COULD CAUSE DAMAGE.
2. Make sure the game is level after installation. It is necessary to make sure the game is level for safety concerns.
3. Check that the A.C. voltage rating on the back of the game matches the A.C. voltage of your location.

THE POWER SUPPLY IS NOT VOLTAGE ADJUSTABLE. TO OPERATE THE GAME AT VOLTAGES OTHER THAN THOSE IT WAS DESIGNED FOR. PLEASE CONTACT OUR SERVICE DEPARTMENT FOR VOLTAGE CONVERSION INFORMATION.

## WARNING

DO NOT remove any of the components on the main board (e.g. compact flash and eproms) while the game is powered on. This may cause permanent damage to the parts and the main board. Removing any main board component part while powered on will void the warranty.

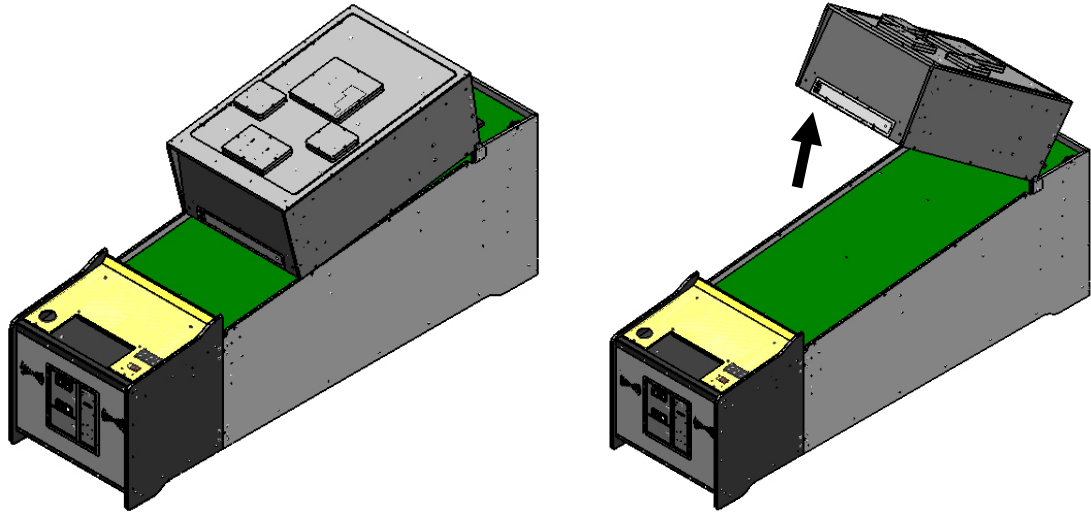
Ne retirez pas l'un des composants sur la carte principale (par exemple Compact Flash et EPROMs), tandis que le jeu est sous tension. Cette mai causer des dommages permanents aux parties et la carte principale. Suppression de tout bord principal élément sous tension alors que annulera la garantie.

**NOTE: THIS GAME IS INTENDED FOR INDOOR USE ONLY.**  
**SHOCK HAZARD - DO NOT OPEN. REFER SERVICING TO SERVICE PERSONNEL.**

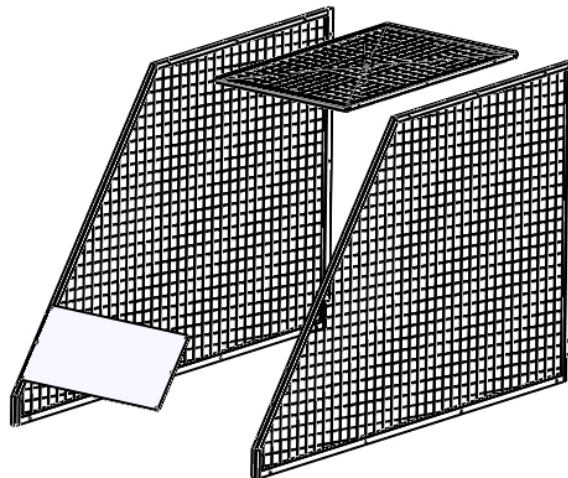
**REMARQUE: CE JEU EST DESTINÉ POUR USAGE À L'INTÉRIEUR SEULEMENT.**  
**AVERTISSEMENT: RISQUE DE CHOC - NE PAS OUVRIR. RÉPARATION À UN PERSONNEL DE SERVICE.**

## Game Setup

Your game is shipped with the upper cabinet folded down, the control panel disconnected, and the cage disassembled. It is recommended that two people assemble this game. Begin by lifting the upper cabinet to its up right position being careful not to pinch any of the harnesses in back. You will find a latching tool located in the cash box of the control panel. Use this tool to latch and lock the upper cabinet to its up right position.



Assemble the cage on the ground. Using 1 3/4" bolts with washers and joint connectors attach the top of the cage to its sides (3 per side). Now lift the cage assembly up onto the cabinet and slide the cage forward so the wood sits into the groove of the cage assembly. Using 5/8" bolts with washers and joint connectors attach the cage to the cabinet (7 per side). Attach the ball guard using 1" bolts with washers (3 per side).



Now position the control panel to the front of the game. Connect the three harnesses on the left and AC harness and the right. Latch the cabinet together being careful not to pinch any of the wires.

Located on the top of the game are the mounting holes for a marquee if purchased.

# Game Settings and Adjustments

When you apply power to your game it will display its version number, type of game, Link ID number and will perform a self error check on its functions. If a error is encountered, the game will display a dot located on the control panel where the credits are shown. Through the coin door and then pressing the furthest button on the right marked error will cycle through all the error codes detected and be displayed on the Score display located on the control panel.

Pressing this button again will exit this mode.

The version number is displayed on high score display and the type of game is displayed on the high speed display. The Link ID number is displayed on score display.

Through the coin door the first button on the left is your program button and pressing this the game will enter program mode. The next button is the select button that will cycle through the different options. The option number is displayed on the credit display located on the control panel. The value of the option is displayed on the score display also located on the control panel.

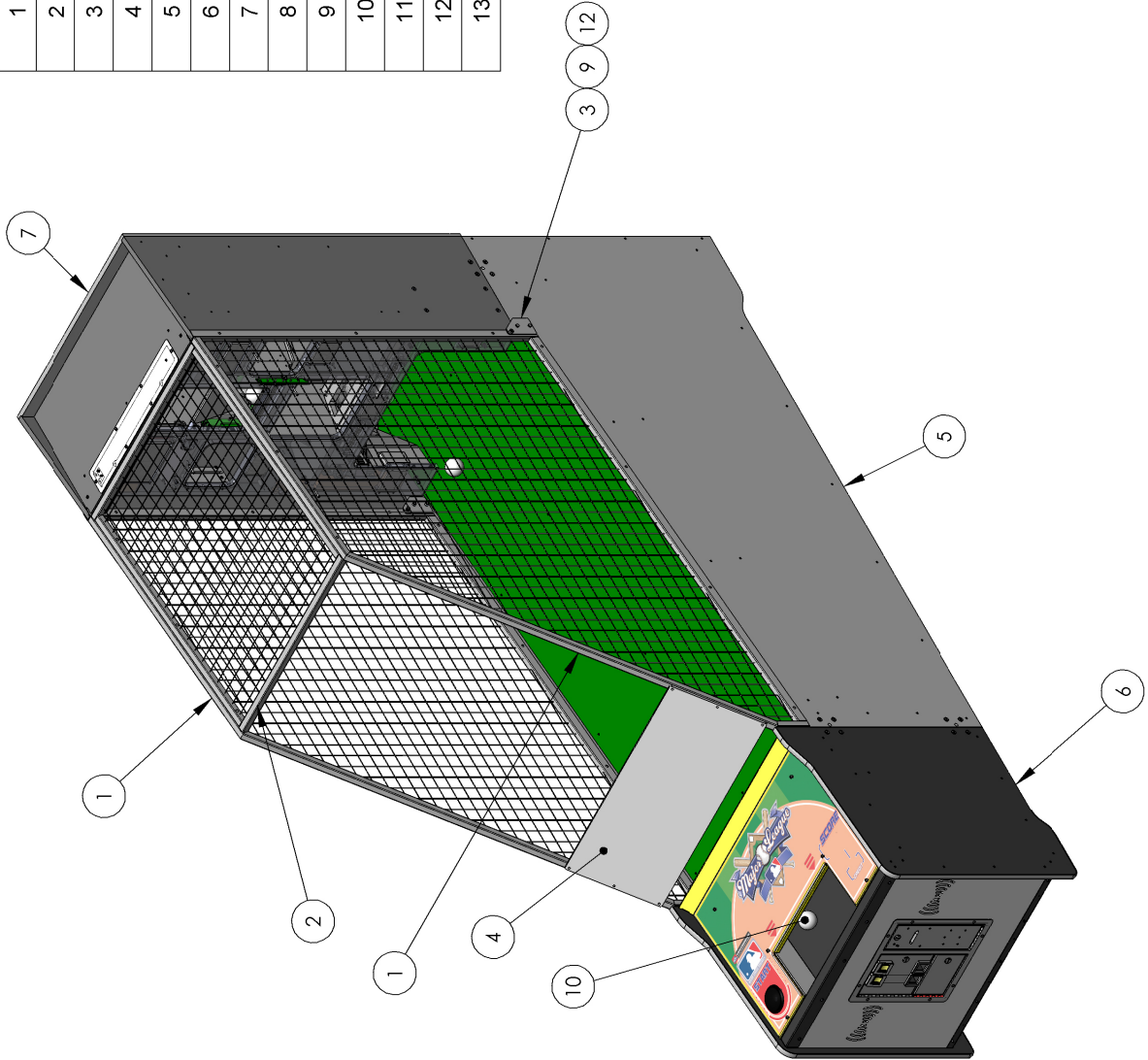
## Program Options

|                  |                   |    |    |     |
|------------------|-------------------|----|----|-----|
| <b>Option 0</b>  | Volume            | 3  | 0  | 7   |
| <b>Option 1</b>  | Coin 1            | 2  | 0  | 10  |
| <b>Option 2</b>  | Coin 2            | 1  | 0  | 10  |
| <b>Option 3</b>  | DBV               | 4  | 0  | 10  |
| <b>Option 4</b>  | Discount          | 0  | 0  | 10  |
| <b>Option 5</b>  | JFP               | 3  | 0  | 10  |
| <b>Option 6</b>  | Points per ticket | 50 | 10 | 200 |
| <b>Option 7</b>  | Ticket Cap        | 0  | 0  | 25  |
| <b>Option 8</b>  | Attract Type      | 3  | 0  | 3   |
| <b>Option 9</b>  | Attract Time      | 3  | 0  | 90  |
| <b>Option 10</b> | Factory Defaults  | 0  | 0  | 1   |

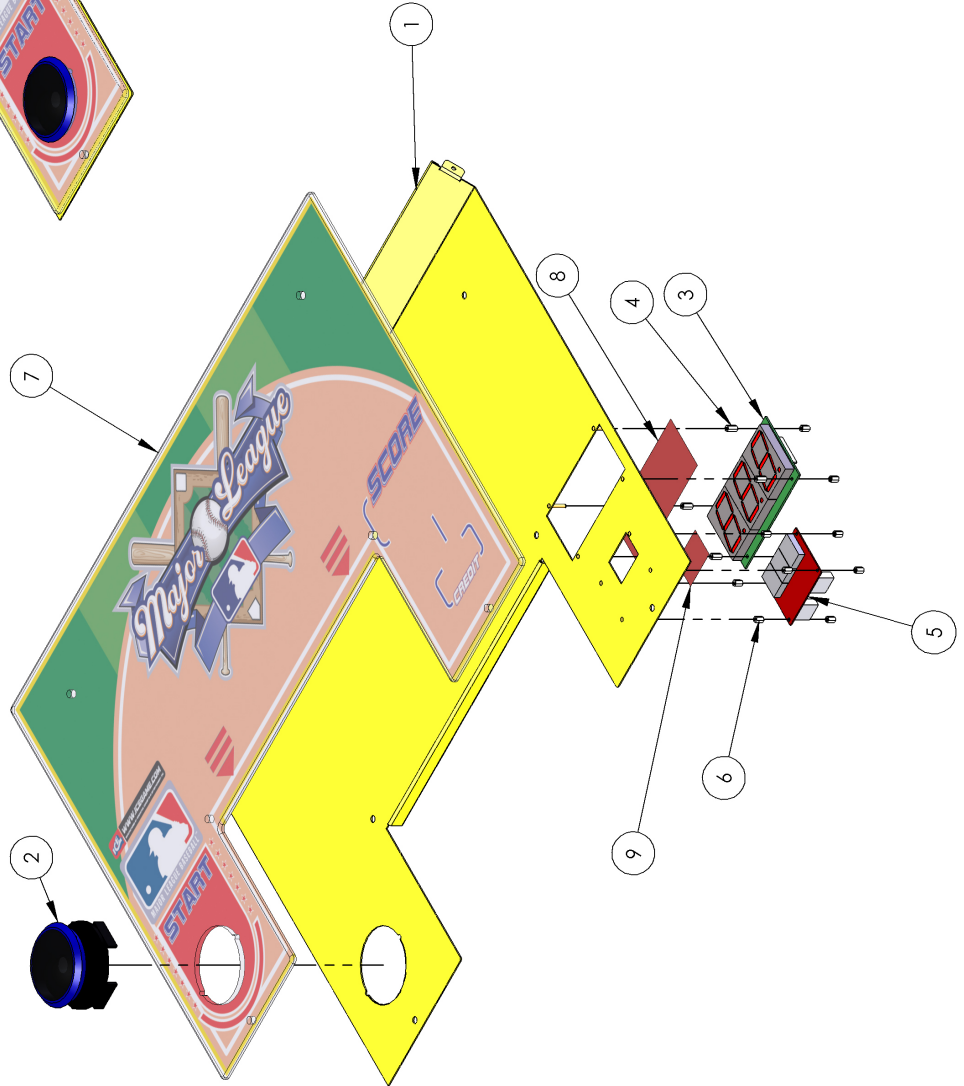
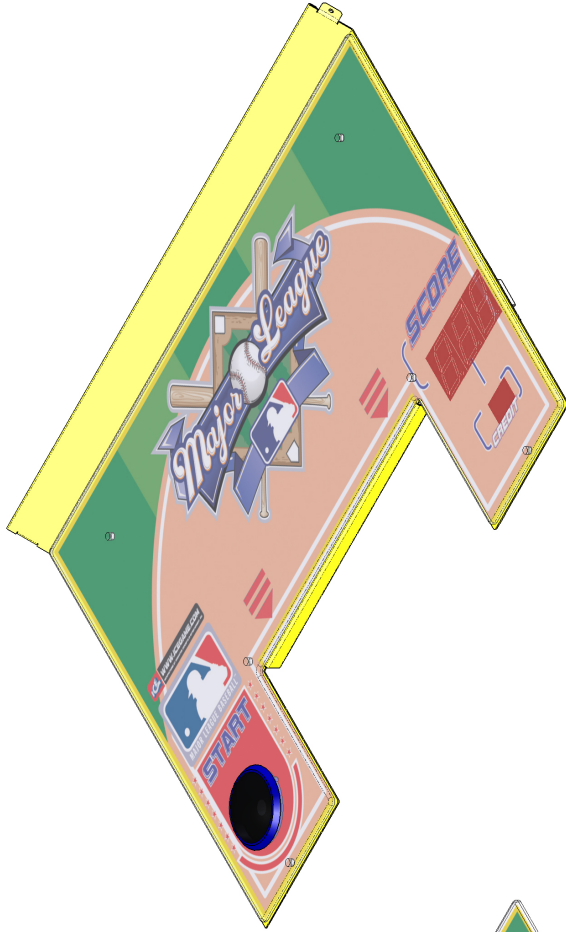
## Error Codes

|                 |  |
|-----------------|--|
| <b>Error 1</b>  | Ticket Error.  |
| <b>Error 2</b>  | Compact Flash Error.   |
| <b>Error 3</b>  | Motor Right Error:<br><i>Motor is extended and sensor is checked, then retracted and sensor checked again.</i> |
| <b>Error 4</b>  | Motor Left Error :<br><i>Motor is extended and sensor is checked, then retracted and sensor checked again.</i> |
| <b>Error 5</b>  | Ball Gate Sensor:<br><i>Ball gate operated but the bottom switch was not seen.</i>                             |
| <b>Error 6</b>  | Coin 1 stuck down.   |
| <b>Error 7</b>  | Coin 2 stuck down.   |
| <b>Error 8</b>  | DBV stuck down.  |
| <b>Error 9</b>  | Window left error ( <i>power on self test only</i> ).  |
| <b>Error 10</b> | Window right error ( <i>power on self test only</i> ).   |
| <b>Error 11</b> | Front sensor error ( <i>power on self test only</i> ).   |
| <b>Error 12</b> | Back sensor error ( <i>power on self test only</i> ).  |
| <b>Error 13</b> | Start button error.  |
| <b>Error 14</b> | Program button error.  |
| <b>Error 15</b> | Select button error.   |
| <b>Error 16</b> | Up button error.   |
| <b>Error 17</b> | Pennant error.   |
| <b>Error 18</b> | Window left blocked.   |
| <b>Error 19</b> | Window right blocked.  |
| <b>Error 20</b> | Front sensor blocked.  |
| <b>Error 21</b> | Back sensor blocked.   |
| <b>Error 22</b> | Ball Gate Sensor:<br><i>Ball gate operated but the top switch was not seen.</i>                                |

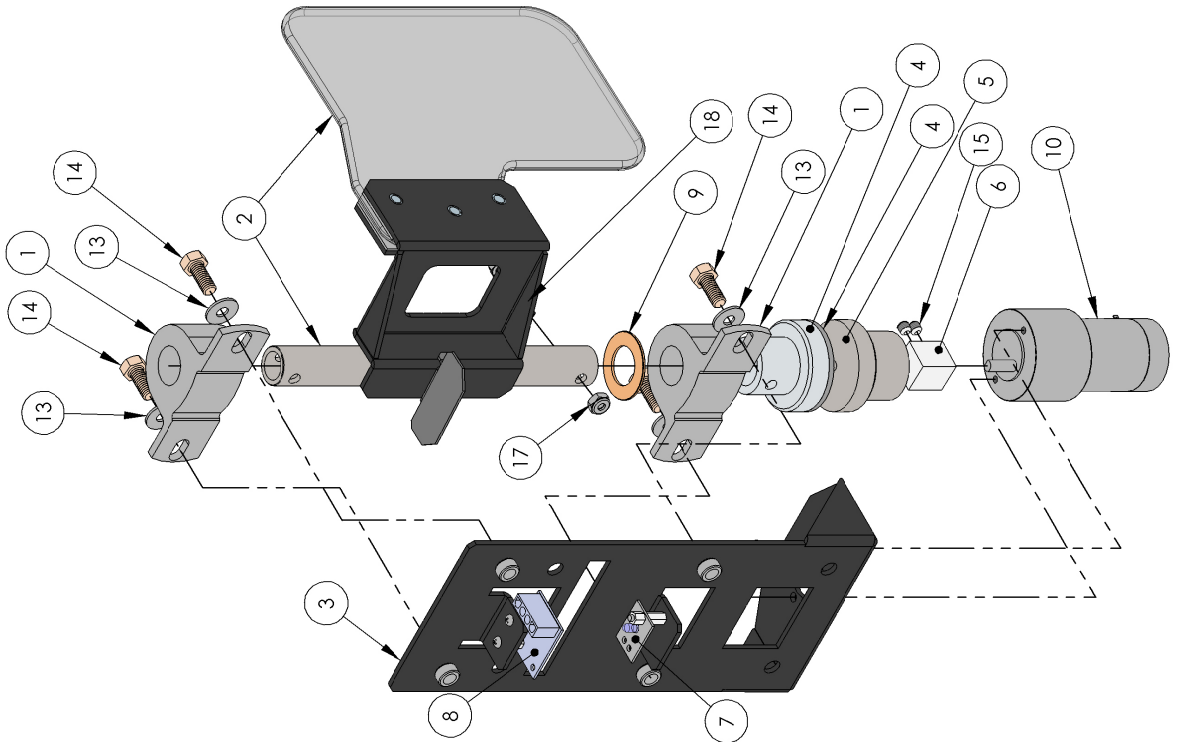
| ITEM NO. | PART NUMBER | DESCRIPTION                          | QTY. |
|----------|-------------|--------------------------------------|------|
| 1        | ML1012      | SIDE CAGE WELDMENT                   | 2    |
| 2        | ML1016X     | TOP CAGE                             | 1    |
| 3        | ML1038      | UPPER CABINET HINGE PLATE            | 4    |
| 4        | ML3045      | REBOUND GUARD                        | 1    |
| 5        | ML3050X     | BASE ASSEMBLY                        | 1    |
| 6        | ML3074X     | PODIUM FINAL ASSEMBLY                | 1    |
| 7        | ML3075X     | UPPER CABINET FINAL ASSY             | 1    |
| 8        | 6257        | HJNUT 0.25-20                        | 4    |
| 9        | PC60609     | 1/4-20 x 1-1/2" LG. (ZINC)           | 4    |
| 10       | ML3024      | BALL (BLUE) SOFT                     | 2    |
| 11       | 6438        | 5/16-18 NYLOCK NUT BLK               | 2    |
| 12       | 6548        | 5/16-18 x 3/8 x 1 SHOULDER BOLT (SS) | 2    |
| 13       | ML3058X     | UPPER CABINET DOOR FINAL ASSY        | 1    |



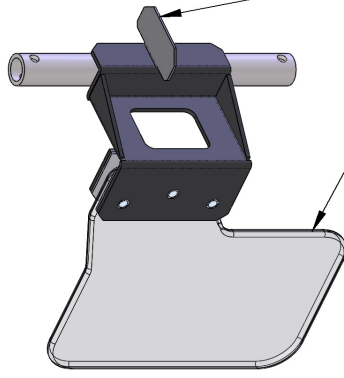
| ITEM NO. | PART NUMBER | DESCRIPTION                         | QTY. |
|----------|-------------|-------------------------------------|------|
| 1        | ML1013      | PODIUM COVERPLATE                   | 1    |
| 2        | MZ2005      | LARGE ROUND BUTTON WITH LIGHT ASY   | 1    |
| 3        | ML2032X     | PCBA (DISPLAY, RED LED DIGITS)      | 1    |
| 4        | 644         | 6-32 x 1/2 HH SPACER 14HTSP008      | 4    |
| 5        | CB2232X     | PCBA (DISPLAY)                      | 1    |
| 6        | PC60642     | 6-32 x 3/8 HH SPACER 14HTSP007      | 12   |
| 7        | ML7012      | DECAL - CONTROL PANEL               | 1    |
| 8        | ML3001      | CONTROL PANEL DISPLAY FILTER SCORE  | 1    |
| 9        | ML3002      | CONTROL PANEL DISPLAY FILTER CREDIT | 1    |



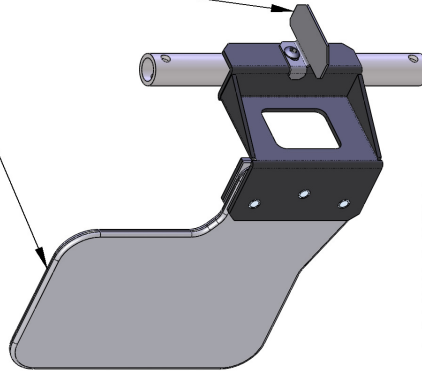
| ITEM NO. | PART NUMBER        | DESCRIPTION                        | QTY. |
|----------|--------------------|------------------------------------|------|
| 1        | FB1061             |                                    | 2    |
| 2        | ML1050X            | TARGET BRKT ASSY                   | 1    |
| 3        | FB1022             | TARGET MOTOR BRACKET               | 1    |
| 4        | FB1023X            | ASSEMBLY-MAGNETIC HOUSING          | 1    |
| 5        | FB1024             | MAGNETIC HOUSING BOTTOM            | 1    |
| 6        | FB1025             | TARGET MOTOR COUPLER               | 1    |
| 7        | FP2009X            | PCBA (OPT. SENSOR ZERO COUNT)      | 1    |
| 8        | RB2009X OPTO BOARD | OPTO BOARD                         | 1    |
| 9        | 6670               | 7/8 BRONZE THRUST WASHER           | 1    |
| 10       | FB2008X            | ASY (TARGET MOTOR)                 | 1    |
| 11       | 644                | 6-32 x 1/2 HH SPACER 14HTSP008     | 3    |
| 12       | 675                | 6-32 x 1 PRHMS                     | 3    |
| 13       | 6075               | 1/4 x 3/4 FLAT WASHER ZINC (USS)   | 4    |
| 14       | 6389               | 5/16-18 x 3/4 HHMB GR 8 W/ LOCTITE | 4    |
| 15       | 6668               | SET SCREW 1/4-28 X .25             | 2    |
| 16       | 6476               | #10-32 x .375" BHSC                | 2    |
| 17       | 6503               | 1/4-20 NYLOCK NUT (LOW PROFILE)    | 1    |
| 18       | PC60609            | 1/4-20 x 1-1/2" LG. (ZINC)         | 1    |
| 19       | PC60643            | 6-32 x 1/4 HH SPACER 14HTSP007     | 3    |



| ITEM NO. | PART NUMBER | DESCRIPTION                     | QTY. |
|----------|-------------|---------------------------------|------|
| 1        | ML1050      | TARGET BRKT WELDMENT            | 1    |
| 2        | FB1028      | SENSOR BRACKET                  | 1    |
| 3        | FB1036      | TARGET MOUNT SUPPORT PLATE      | 1    |
| 4        | FB4008      | TARGET GASKET                   | 2    |
| 5        | 6503        | 1/4-20 NYLOCK NUT (LOW PROFILE) | 3    |
| 6        | ML3036      | TARGET                          | 1    |
| 7        | 6281        | 1/4-20 x 1 1/2 BSHCS (BLACK)    | 1    |
| 8        | PC60604     | NYLOCK NUT, 1/4-20              | 1    |

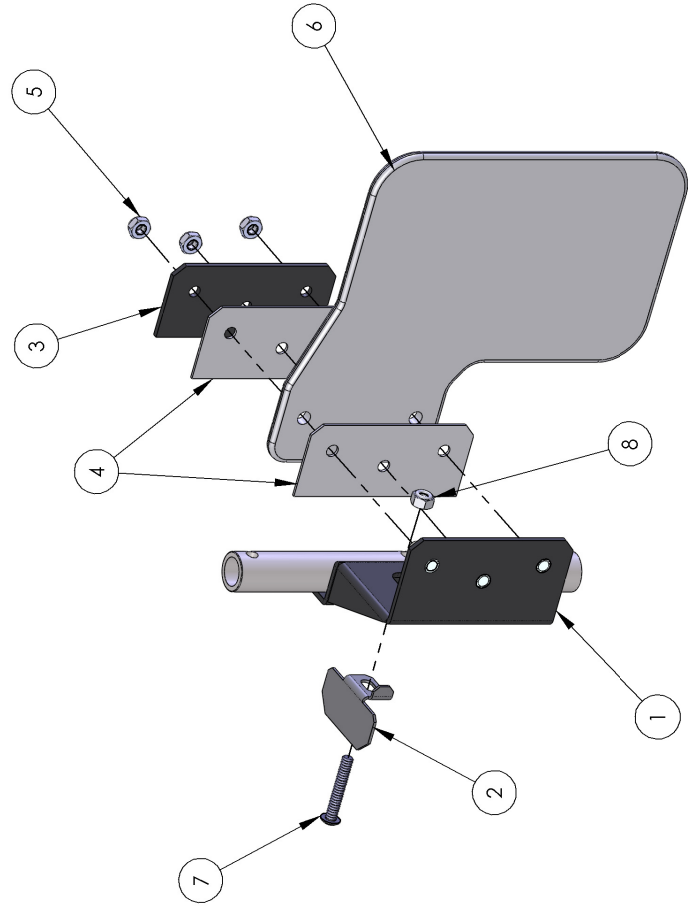


**RIGHT BRACKET**

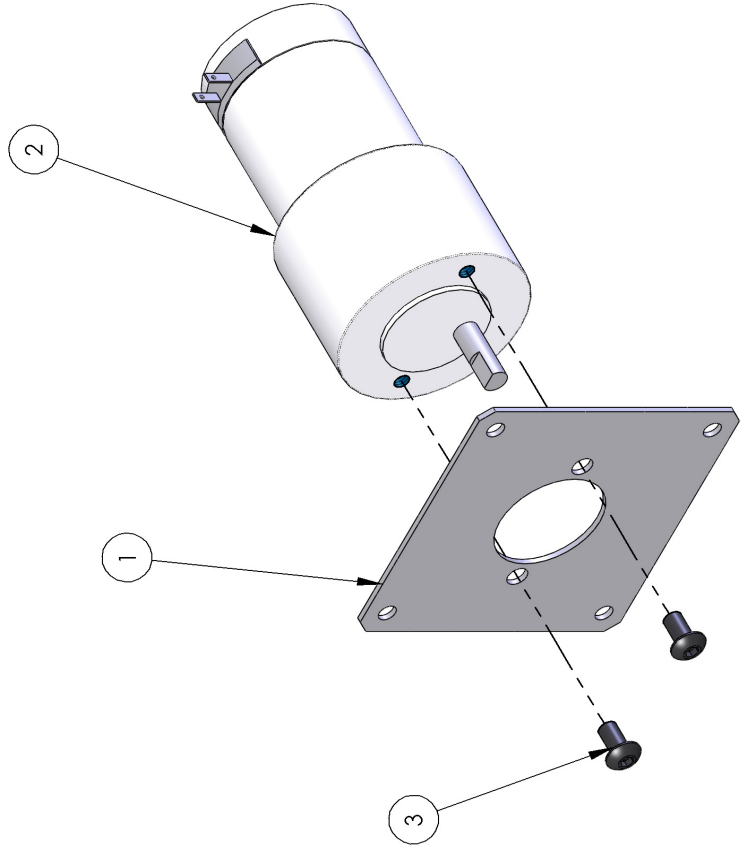
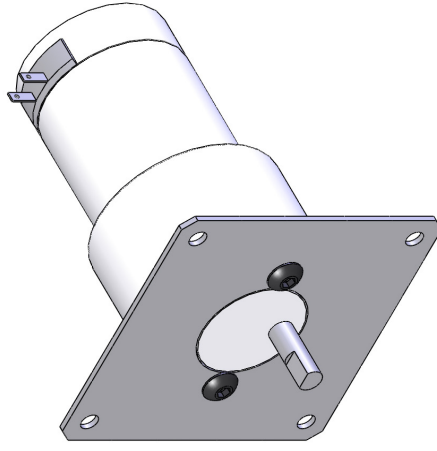


**LEFT BRACKET**

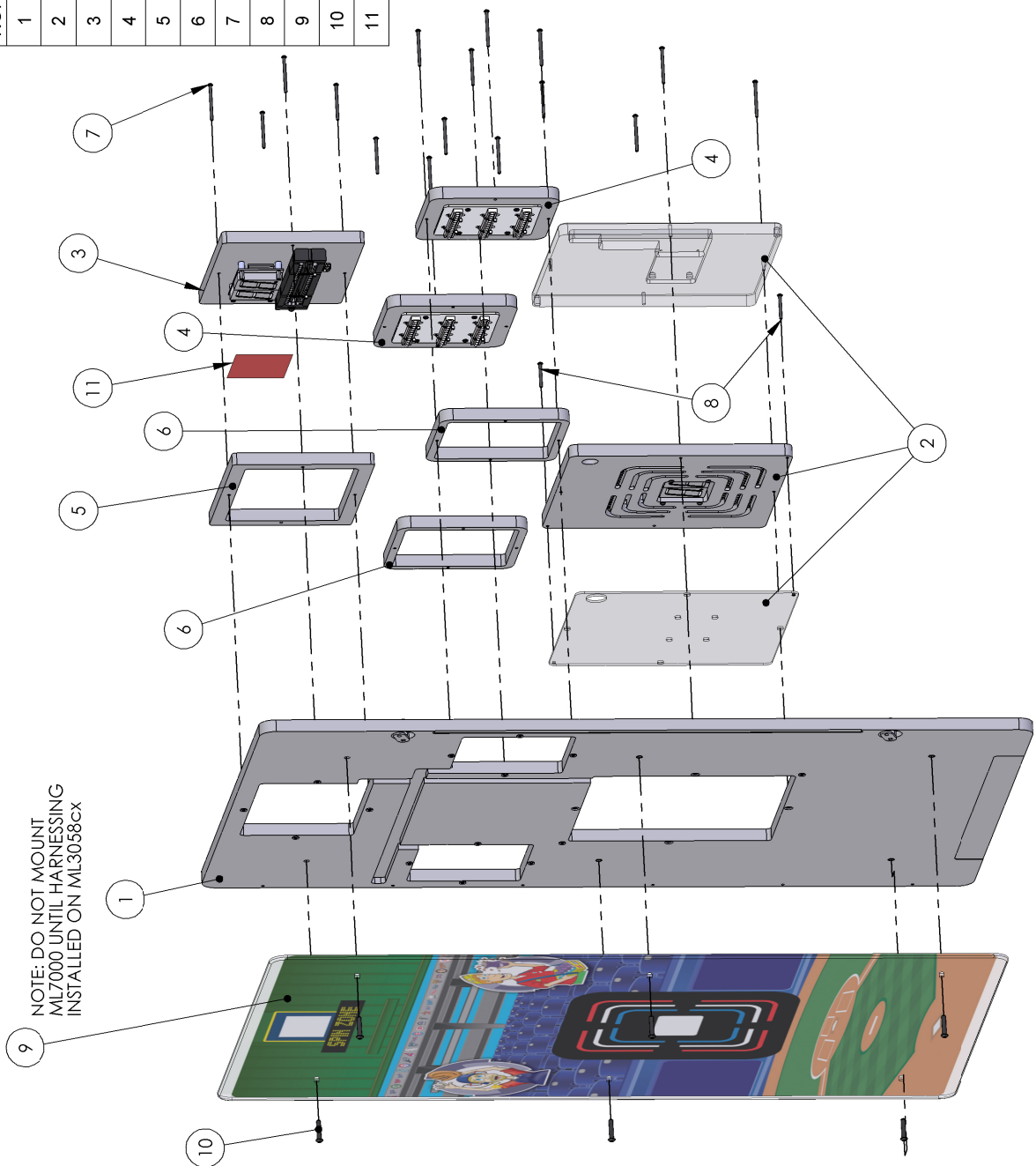
THE DIFFERENCE BETWEEN THE LEFT BRACKET & RIGHT BRACKET IS THE TARGET & SENSOR BRACKET ARE ROTATED 180°



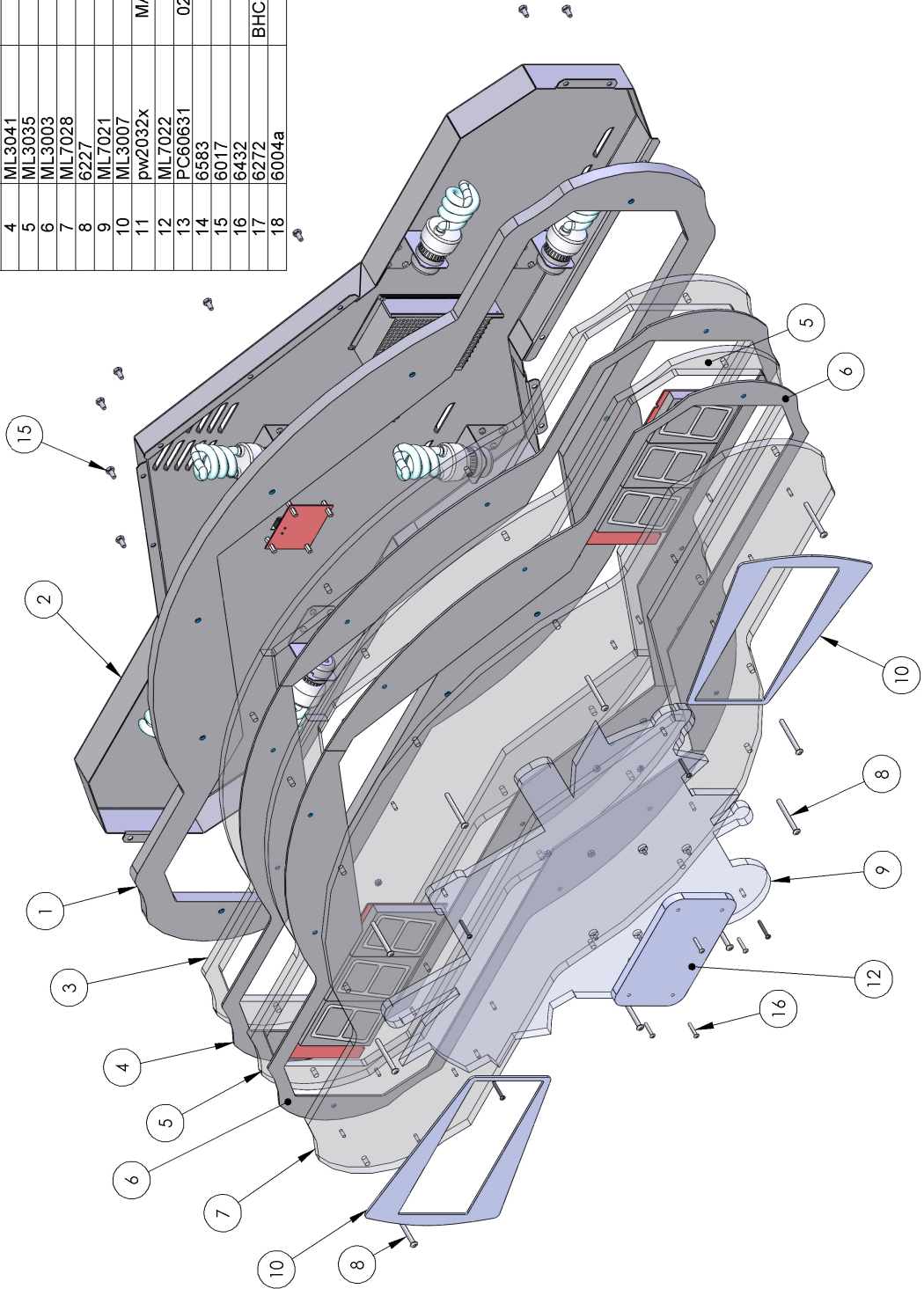
| ITEM NO. | PART NUMBER | DESCRIPTION         | QTY. |
|----------|-------------|---------------------|------|
| 1        | ML1033      | MOTOR MOUNT PLATE   | 1    |
| 2        | FB2008X     | ASY (TARGET MOTOR)  | 1    |
| 3        | 6476        | #10-32 x .375" BHSC | 2    |

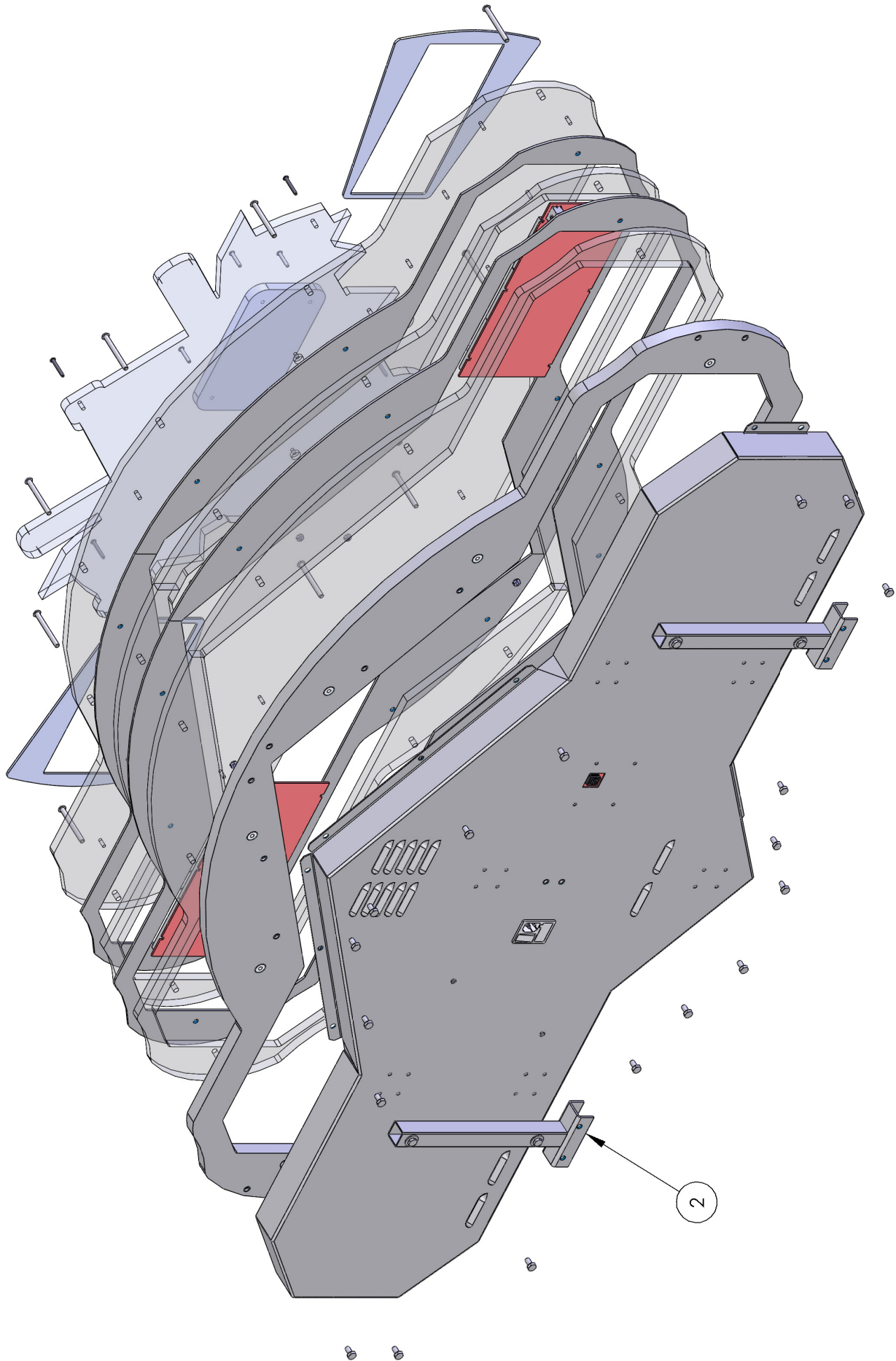


| ITEM NO. | PART #   | DESCRIPTION                      | QTY. |
|----------|----------|----------------------------------|------|
| 1        | ML3058CX | UPPER CABINET BACK DOOR ASSY     | 1    |
| 2        | ML3163X  | LOWER TARGET BACKLIGHT ASY       | 1    |
| 3        | ML3047X  | UPPER TARGET BACKLIGHT ASY       | 1    |
| 4        | ML3019X  | SIDE TARGET BACKLIGHT ASY        | 2    |
| 5        | ML3048   | BACK DOOR SMALL RING             | 1    |
| 6        | ML3020   | BACK DOOR MEDIUM RING            | 2    |
| 7        | 6703     | #8-32 x 2-1/4" LG PPHMS (18-8SS) | 16   |
| 8        | 6331     | #8-32 x 1-1/2" LG PPHMS          | 2    |
| 9        | ML7000   | PCB DISPLAY GUARD                | 1    |
| 10       | 6211     | 1/4-20 x 1-1/4" LG. BSHCS        | 6    |
| 11       | ML3000   | PLAYFIELD DISPLAY FILTER         | 1    |



| ITEM NO. | PART NUMBER | DESCRIPTION                          | QTY. |
|----------|-------------|--------------------------------------|------|
| 1        | ML3097      | MARQUEE FRAME                        | 1    |
| 2        | FB1063X     | ASSEMBLY-BACK PANEL                  | 1    |
| 3        | ML3034      | MARQUEE LAYER 1                      | 1    |
| 4        | ML3041      | MARQUEE LAYER 1 MIRROR               | 1    |
| 5        | ML3035      | MARQUEE LAYER 2                      | 1    |
| 6        | ML3003      | MARQUEE LAYER 2 MIRROR               | 1    |
| 7        | ML7028      | MARQUEE FRONT                        | 1    |
| 8        | 6227        | 1/4-20 x 2 1/2 BSHCS                 | 10   |
| 9        | ML7021      | MARQUEE CREST                        | 1    |
| 10       | ML3007      | DISPLAY FRAME                        | 2    |
| 11       | pw2032x     | MARQUEE PC BOARD ASSEMBLY            | 2    |
| 12       | ML7022      | MARQUEE LOGO                         | 1    |
| 13       | PC60631     | 025-20 CABINET INSERT (J50115)       | 10   |
| 14       | 6583        | 1/4-20 BRASS INSERT                  | 18   |
| 15       | 6017        | 1/4-20 x 1/2 HHMB                    | 18   |
| 16       | 6432        | 8-32 x 1" LG. BSHCS (ZINC)           | 4    |
| 17       | 6272        | BHCS #8-32 x 1.25" LG. (BLACK OXIDE) | 4    |
| 18       | 6004a       | 8-32 KEP NUT                         | 8    |





## Parts List

### Electronics

|           |                                   |
|-----------|-----------------------------------|
| DA2001X   | Power supply                      |
| DN2007X   | Power mod 6 MDQ                   |
| E2034X    | Brain Board (requires I/O board)  |
| E02295    | Fuse 6 amp 250V Slow Blow (MDA-6) |
| ML2034X   | Main I/O                          |
| 1029WSX   | Assembly reset button             |
| AR2007    | Speaker                           |
| BB2022X   | Assembly flood lamp socket        |
| CB2232X   | PCBA display                      |
| E00211    | Low ticket switch                 |
| E00377    | R30 Bulb CF flood                 |
| FB2008X   | Target motor assembly             |
| ML2032X   | PCB display                       |
| MZ2005    | Button 4" round white             |
| 8312      | PL-L 40W fluores bulb             |
| 8978MLX   | Red LED strip                     |
| 8992FBX   | Clear LED strip                   |
| BW2017    | Bulb plastic cup                  |
| BW2018    | Bulb plastic support              |
| CS8449X   | Ballast                           |
| DA2133MLX | Small display, RT                 |
| E00446MLX | LED strip, white                  |
| E00447MLX | LED strip white                   |
| E00448MLX | LED strip blue                    |
| RB2009X   | Opto sense point zero             |
| DA2133X   | Small display                     |
| E00416MLX | Red LED strip                     |
| FB2035WX  | White LED display                 |
| ML2032YX  | Yellow LED display                |
| ML2039RX  | Opto Receiver                     |
| ML2039RSX | Opto Receiver short               |
| ML2039TX  | Opto transmitter                  |
| ML2039TSX | Opto transmitter short            |
| NB2032YX  | Yellow display                    |
| SR2035    | Opto encoder board                |
| PP250X    | Assembly socket                   |
| CG2027    | Power cord 9', 10"                |

## Mechanical

|             |                                  |
|-------------|----------------------------------|
| 3030        | Screw cap black                  |
| 3042        | Screw cap green                  |
| ML1012-p802 | Cage side                        |
| ML1016-p802 | Cage top                         |
| ML3045      | Rebound guard                    |
| HD1052      | Caster 3"                        |
| MA1019      | Transformer MTG plate            |
| 201         | T-molding 25/32" chrome          |
| 5014        | Lock 7/8" cam                    |
| WA5001      | Triple coin door with dual mechs |
| ML3036      | Target                           |
| ML1006-p802 | Hinge for back door              |
| ML3053X     | Playfield assembly               |
| 3052        | Hole plug black                  |
| 6001b       | Allen wrench 3/16"               |
| 6105        | Latch tool                       |
| ML3024      | Ball blue soft                   |
| ML9001      | Service manual                   |

## Decals

|         |                                  |
|---------|----------------------------------|
| 7031    | Decal "For indoor use only"      |
| 7032    | Decal "Caution fuse replace"     |
| 7033    | Decal "Warning power/disconnect" |
| 7069    | Decal "Earth ground label"       |
| 7074    | Decal "Warning: shock hazard"    |
| ML7008  | Decal "Button"                   |
| ML7012  | Decal "control panel"            |
| ML7004  | Decal "playfield"                |
| ML7016  | Decal "Strike Zone"              |
| ML 7017 | Decal "Speed"                    |
| ML 7018 | Decal "MPH"                      |
| ML7000  | Decal (back door)                |
| ML7001  | Decal (back door bracket left)   |
| ML7002  | Decal (back door bracket right)  |
| ML7003  | Decal (back door strip)          |
| ML7014  | Decal (Target catcher)           |
| ML7015  | Decal (Target peanut vendor)     |
| ML7023  | Decal (Target umpire)            |
| ML7024  | Decal (Target batter)            |

# Warranty

I.C.E warrants all components in the **MLB™** game to be free of defects in materials and workmanship for a period of ninety days from the date of purchase.

This warranty does not cover items damaged due to normal wear and tear, subjected to abuse, improperly assembled by the end user, modified, repaired, or operated in a fashion other than that described in the service manual.

If your **MLB™** game fails to conform to the above-mentioned warranty, our sole responsibility shall be at our option to repair or replace any defective component with a new or re-manufactured component of equal to or greater O.E.M. specification.

I.C.E. will assume no liability whatsoever, for costs associated with labor to replace defective parts, or travel time associated therein.

Our obligation will be to ship free of charge, replacement parts by domestic U.P.S. Ground, U.S. mail, or other comparable shipping means. Any express mail or overnight shipping expense is at the cost of the purchaser.

Products will be covered under warranty only when:

- The serial number of the game with the defective parts is given. A RMA number has been issued by an I.C.E. technical representative.
- The serial number of the defective part, if applicable, is given..
- A copy of the sales receipt is available as proof of purchase upon request of I.C.E.

I.C.E. distributors are independent, privately owned and operated. In their judgment, they may sell parts or accessories other than those manufactured by I.C.E. We cannot be responsible for the quality, suitability, or safety of any non-I.C.E. part, or any modification, including labor, which is performed by such a distributor.



# Warranty

ICE Inc warrants that all of its products will be free from defects in material and workmanship.

When placing a warranty request, please be prepared to provide the following information:

- Serial Number of Game or Bill of Sale
- Machine Type
- A Detailed Description of the Equipment Fault Symptoms

ICE product, including Cromptons, Sam's Billiards, Uniana and Bell Fruit is warranted as follows:

- 180 days on the Main PCB and Computers
- 180 days on Motors
- 90 days on all other components (i.e. DBV's, Ticket Dispensers, etc)
- 30 days on repaired items
- 3 years on all Crane Harnessing
- 6 Months on Printers

ICE Inc shall not be obligated to furnish a warranty request under the following conditions:

- Equipment has been subjected to unwarranted stress through abuse or neglect
- Equipment has been damaged as a result of arbitrary repair/modification attempts
- Equipment that has failed through normal wear and tear

ICE Inc will assume no liability whatsoever for costs associated with labor to replace defective parts or travel time associated therein.

All defective warranty covered components will be replaced with new or factory refurbished components equal to OEM specifications. ICE Inc will cover all domestic UPS ground, or comparable shipping means, freight costs during the warranty period. Expedited shipments are available for an additional charge.

Defective parts are returned to ICE Inc, at the customer's expense, in a timely fashion.

ICE distributors are independent, privately owned and operated. In their judgment, they may sell parts and/or accessories other than those manufactured by ICE Inc. We cannot be responsible for the quality, suitability or safety of any non-ICE part, modification (including labor) that is performed by such a distributor.

I.C.E. Parts/Service Dept.  
Innovative Concepts in Entertainment  
10123 Main St.  
Clarence, NY 14031  
Phone #: (716) - 759 - 0360  
Fax #: (716) - 759 - 0884